



Digitized Automation for a Changing World

# Delta Industrial PC IPC Series / PPC Series


# Industrial PCs - IPC & PPC

In response to market demands for industrial information management, Delta presents the industrial PCs: Industrial box PC (IPC) and Industrial Panel PC (PPC).

The Industry PC (IPC) is compact and robust with a fanless design and aluminum case featuring cooling effects. Its rugged structure and excellent vibration resistance make it highly protective against pollution, dust, and electromagnetic interference when applied in industrial environments, such as machinery equipment, transportation, infrastructure and others.

The Industrial Panel PC (PPC) is slim and built with an aluminum case, which is composed of an IP65 front panel and a rear panel with heat sink. It is sealed with a fanless design. The PPC is suitable for applications in the rubber machinery, solar photovoltaic, automotive control and other industrial fields.

	Embedded Type	Intel® Celeron N3350	2/4GB RAM	2 × RJ45 (1GbE)
			64GB mSata SSD	1 × VGA
			2 × USB / 1 × COM	—
	Standard Type	Intel® Celeron J1900	4/8GB RAM	2 × RJ45 (1GbE)
			128GB mSata SSD	1 × VGA / 1 × HDMI
			6 × USB / 6 × COM	—
	Advanced Type	8 <sup>th</sup> Gen Intel® Core i3/i5 Series	4/8GB RAM	2 × RJ45 (1GbE)
			256/512GB mSata SSD	1 × VGA / 1 × HDMI
			6 × USB / 6 × COM	—
	Professional Type	8 <sup>th</sup> Gen Intel® Core i3/i5/i7 Series	8GB RAM	2 × RJ45 (1GbE)
			256/512GB Sata III 2.5" SSD	1 × VGA / 1 × HDMI
			4 × USB / 4 × COM	2 × PCI or 1 × PCI + 1 × PCIe x16

	Standard Type with Panel	Intel® Celeron J1900	4/8GB RAM	2 × RJ45 (1GbE)
			128GB mSata SSD	1 × VGA / 1 × HDMI
			4 × USB / 4 × COM	10 / 12 / 15 / 17 / 19 / 21 inch
	Advanced Type with Panel	8 <sup>th</sup> Generation Intel® Core i3/i5 Series	4/8GB RAM	2 × RJ45 (1GbE)
			256/512GB mSata SSD	1 × VGA / 1 × HDMI
			4 × USB / 4 × COM	15 / 17 / 19 / 21 inch



## Contents

	Page
<u>Industrial PC - IPC</u>	4
<u>Industrial Panel PC - PPC</u>	6
<u>Applications</u>	8
<u>Dimensions</u>	10
<u>Ordering Information</u>	12
<u>Model Information</u>	15



# Industrial Box PC (IPC)

## Embedded Type

- Intel® Celeron N3350
- Fanless system
- Supports 1 × VGA

- Operating Temperature -20°C ~ 70°C
- Storage: 1 × 64GB mSata SSD
- Memory: Built-in 2/4GB; Max. capacity: 8GB

## Standard Type

- Intel® Celeron J1900
- Fanless system
- Supports 1 × VGA; 1 × HDMI

- Operating Temperature -20°C ~ 60°C
- Storage: 1 × 128GB mSata SSD
- Memory: Built-in 4/8GB; Max. capacity: 8GB

## Advanced Type

- 8<sup>th</sup> Gen Intel® Core i3 / i5
- Fanless system
- Supports 1 × VGA; 1 × HDMI

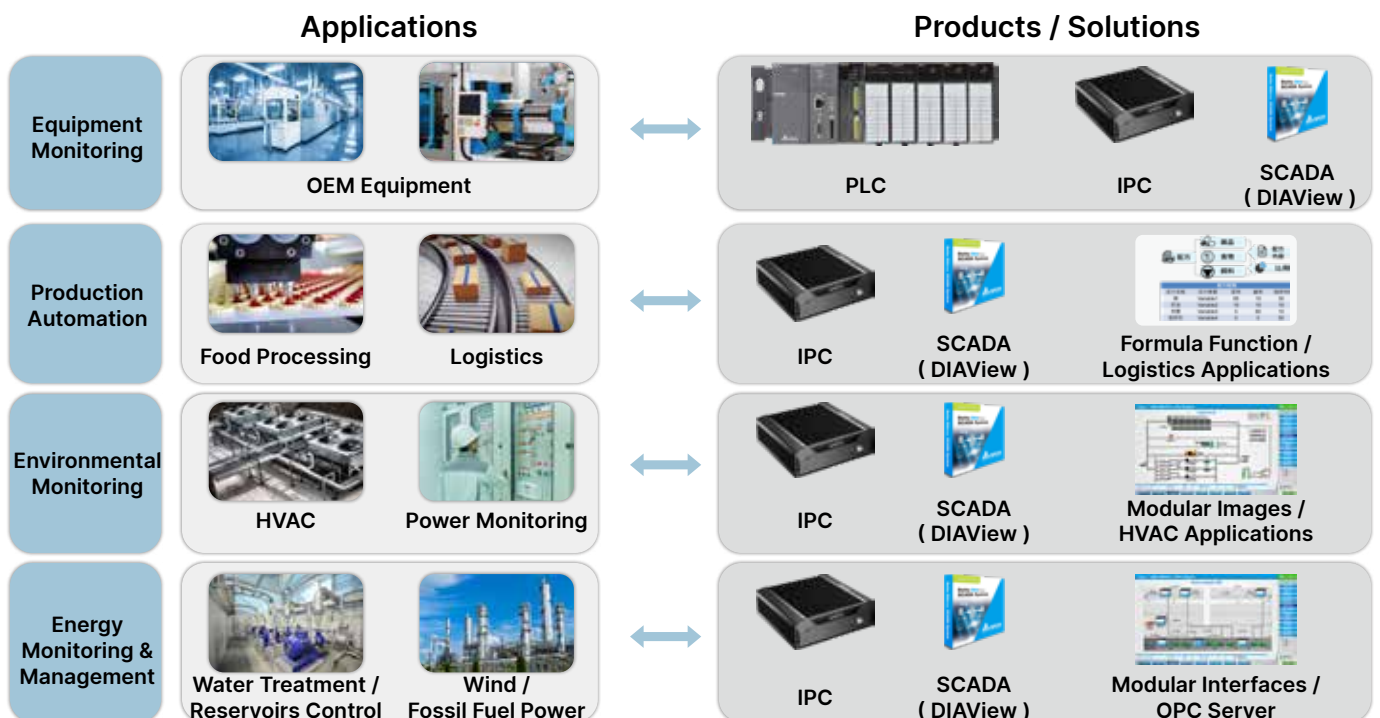
- Operating Temperature -20°C ~ 60°C
- Storage: 1 × 256/512GB mSata SSD
- Memory: Built-in 4/8GB; Max. capacity: 32GB

## Professional Type

- 8<sup>th</sup> Gen Intel® Core i3 / i5 / i7
- Fanless system
- Supports 1 × VGA; 1 × HDMI

- Expansion slot: 1 × PCI and 1 × PCIe16
- Operating Temperature -10°C ~ 60°C
- Storage: 1 × 256/512GB SATA III SSD
- Memory: Built-in 8GB; Max. capacity: 32GB

## Integration with SCADA System for Industrial Applications



## Specifications

Model		Embedded Type	Standard Type	Advanced Type	Professional Type
		IPC-E200 Series	DIAPH-IPC00J Series	DIAPH-IPC003/5 Series	IPC-A300 Series
Processor System	CPU	Intel® Celeron N3350	Intel® Celeron J1900	8 <sup>th</sup> Gen Intel® Core i3/i5	8 <sup>th</sup> Gen Intel® Core i3/i5/i7
	Core Number	2	4	2	2 (i3) / 4 (i5/i7)
Memory	Socket	1 × SO-DIMM			2 × SO-DIMM
	Technology	DDR3L	DDR3L	DDR4	DDR4
	Standard Capacity	2/4GB	4/8GB	4/8GB	8GB
	Max Capacity	8GB	8GB	32GB	32GB
Storage	Interface	1 × Half-size mSata	1 × Full-size mSata	1 × Full-size mSata	2 × 2.5" SATA III
	Standard Capacity	64GB	128GB	256/512GB	256/512GB
System I/O	COM	1 × RS-232/422/485 Selected by BIOS	5 × RS-232 1 × RS-485	4 × RS-232 2 × RS-485	4 × RS-232/422/485 Selected by BIOS
	DIO	8-bit DIO Selected by BIOS, DB9 Connector	–	–	–
	USB	2 × USB2.0	5 × USB2.0 1 × USB3.0	2 × USB2.0 4 × USB3.0	4 × USB3.0
	Ethernet	2 × 10/100/1000 Mbps Ethernet			
	Display	1 × VGA	1 × HDMI / 1 × VGA		
	Audio	–	1 × Audio input / output		
Expansion	Mini-PCIe	1 × Full-size mini PCIe for wireless module			
	Riser Card	–	–	–	2 × PCI or 1 × PCI+1 × PCIe x16
Environment	Anti-vibration	2Grms @ 5~500Hz	1Grms @ 19~200Hz		2Grms @ 5~500Hz
	Anti-shock	–	10g acceleration, 11ms duration		–
	PC Operating Temperature	-20°C ~ 70°C with air flow	-20°C ~ 60°C with air flow		-10°C ~ 60°C with air flow
	Relative Humidity	-40°C ~ 85°C	-40°C ~ 70°C		-20°C ~ 80°C
	Relative Humidity	10~90% (non-condensing)	10~95% (non-condensing)		10~90% (non-condensing)
Mechanical	Dimensions W x D x H	31x100x125mm	211.5x200x67mm		147.5x230x147.5mm
	Weight	0.3/0.5 kg	2.8/3.5 kg		4.4/5.4 kg
	Installation	DIN-rail	Wall Mount / Desktop		
Power Consumption	Input Voltage	12~24 V <sub>DC</sub> Terminal block OVP(±20%) & reverse current protection	With power adapter: Input voltage: 100~240 V <sub>AC</sub> Output voltage / current: 12 V <sub>DC</sub> /5A		With power adapter: Input voltage: 100~240 V <sub>AC</sub> Output voltage / current: 24 V <sub>DC</sub> /5A
	Standby mode	17W	7W	10W	28W
Certifications		CE, FCC Class A	CE, FCC Class A, BSMI		CE, FCC Class A

# Industrial Panel PC - PPC

## (10-inch / 12-inch / 15-inch / 17-inch / 19-inch / 21-inch)

### Intel® Celeron J1900

Model		DIAVH-PPC10J Series	DIAVH-PPC12J Series	DIAVH-PPC15J Series	DIAVH-PPC17J Series	DIAVH-PPC19J Series	DIAVH-PPC21J Series
Processor System	CPU	Intel® Celeron J1900					
	Core Number	4					
Memory	Socket	1 × SO-DIMM					
	Technology	DDR3L					
	Standard Capacity	4 / 8GB					
	Max Capacity	8GB					
Storage	Interface	1 × Full-size mSata					
	Standard Capacity	128GB					
Panel	Front Bezel	Aluminum alloy with IP65					
	Touch Panel	5-wire / resistive, USB interface					
	Size	10 inch	12 inch	15 inch	17 inch	19 inch	21 inch
	Resolution	1024 × 768	1024 × 768	1024 × 768	1280 × 1024	1440 × 900	1920 × 1080
	Brightness	350 cd/m <sup>2</sup>	450 cd/m <sup>2</sup>	300 cd/m <sup>2</sup>	250 cd/m <sup>2</sup>	250 cd/m <sup>2</sup>	250 cd/m <sup>2</sup>
	Contrast	800 : 1	700 : 1	1500 : 1	1000 : 1	1000 : 1	1000 : 1
	Viewing angle (H / V)	170° / 170°	160° / 160°	140° / 140°	150° / 140°	150° / 140°	170° / 160°
System I/O	COM	3 × RS-232, 1 × RS-485					
	GPIO	4-bit In / 4-bit Out (DB9 Connector)	-	-	-	-	-
	USB	3 × USB2.0, 1 × USB3.0					
	Ethernet	2 × 10/100/1000 Mbps Ethernet					
	Display	1 × HDMI / 1 × VGA					
	Audio	1 × Audio input / output					
Expansion	Mini-PCle	1 × Full-size mini PCle for wireless module					
Environment	Anti-vibration	1Grms @ 19~200Hz					
	Anti-shock	10g acceleration, 11ms duration					
	PC Operating Temperature	-10°C ~ 50°C with air flow					
	Storage Temperature	-20°C ~ 60°C					
	Relative Humidity	10~95% (non-condensing)					
Mechanical	Dimensions (mm)	258(W) 198(H) 57.5(D)	317(W) 246(H) 65.7(D)	380(W) 300(H) 59(D)	400(W) 320(H) 59(D)	475(W) 308(H) 57(D)	525 (W) 316 (H) 57 (D)
	Weight	2.8 / 4.0kg	4.3 / 5.7kg	5.2 / 6.8kg	6.1 / 8.0kg	7.3 / 8.3kg	7.5 / 8.5kg
Power Consumption	Input Voltage	With power adapter: Input Voltage: 100 ~ 240 V <sub>AC</sub> ; Output Voltage / Current: 12 V <sub>DC</sub> / 5A					
	Standby mode	10W	15W	11W	11W	13W	16W
Certifications		CE, FCC Class A, BSMI				CE, FCC Class A	

# Industrial Panel PC - PPC

## (15-inch / 17-inch / 19-inch / 21-inch)

### Intel® Core i3 / i5 Series

Model		DIAPH-PPC15x Series	DIAPH-PPC17x Series	DIAPH-PPC19x Series	DIAPH-PPC21x Series
Processor System	CPU	8 <sup>th</sup> Gen Intel® Core i3/i5			
	Core Number	2			
Memory	Socket	1 × SO-DIMM			
	Technology	DDR4			
	Standard Capacity	4/8GB			
	Max Capacity	32GB			
Storage	Interface	1 × Full-size mSata			
	Standard Capacity	256/512GB			
Panel	Front Bezel	Aluminum alloy with IP65			
	Touch Panel	5-wire / resistive, USB interface			
	Size	15 inch	17 inch	19 inch	21 inch
	Resolution	1024 × 768	1280 × 1024	1440 × 900	1920 × 1080
	Brightness	300 cd/m <sup>2</sup>	250 cd/m <sup>2</sup>	250 cd/m <sup>2</sup>	250 cd/m <sup>2</sup>
	Contrast	1500 : 1	1000 : 1	1000 : 1	1000 : 1
	Viewing angle (H / V)	140°/140°	150°/140°	150°/140°	170°/160°
System I/O	COM	3 × RS-232, 1 × RS-485			
	USB	4x USB3.0			
	Ethernet	2 × 10/100/1000 Mbps Ethernet			
	Display	1 × HDMI / 1 × VGA			
	Audio	1 × Audio input / output			
Expansion	Mini-PCIe	1 × Full-size mini PCIe for wireless module			
Environment	Anti-vibration	1Grms @ 19~200Hz			
	Anti-shock	10g acceleration, 11ms duration			
	PC Operating Temperature	-10°C ~ 50°C with air flow			
	Storage Temperature	-20°C ~ 60°C			
	Relative Humidity	10~95% (non-condensing)			
Mechanical	Dimensions (mm)	380(W) 300(H) 59(D)	400(W) 320(H) 59(D)	475(W) 308(H) 57(D)	525(W) 316(H) 57(D)
	Weight	5.2/6.8kg	6.1/8.0kg	7.3/8.8kg	7.5/8.3kg
Power Consumption	Input Voltage	With power adapter: Input voltage: 100~240V <sub>AC</sub> ; Output voltage / current: 12V <sub>DC</sub> /5A			
	Standby mode	10W	16W	20W	20W
Certifications		CE, FCC Class A, BSMI	CE, FCC Class A	CE, FCC Class A, BSMI	CE, FCC Class A



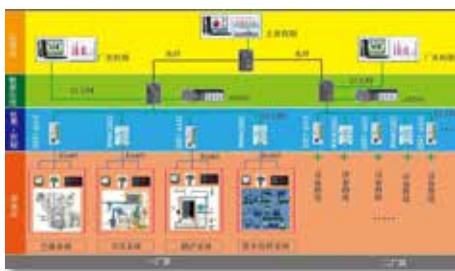
## Applications

### Factory Digitalization

- Factory data acquisition, process control and management
- Data Information Storage and analysis, realizing distributed system calculation

### Logistic Application: Transportation and Stereoscopic Warehouse

- Material storage arrangement according to database; material load / unload via barcode scanning
- Enhances material storage management / load / unload efficiency, saving space, and reducing manpower



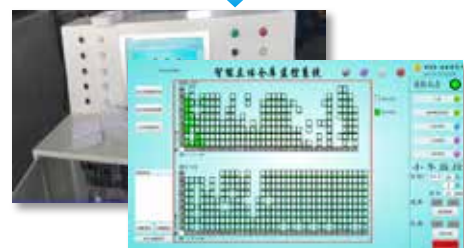
Factory Digitalization



Warehousing System



Factory Equipment Monitoring



Warehouse Monitoring





## Inspection & Monitoring of Electronic Equipment

- Connects PLCs and inspection equipment for routine inspection, realizing powerful group control
- Records daily production, yield rate, and provides inquiry functions



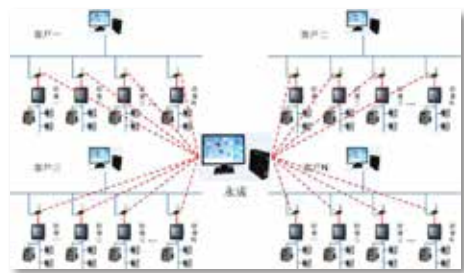
Electronic Inspection Equipment



Inspection and Monitoring Interfaces

## Equipment Monitoring System

- Achieves real-time remote monitoring of machine operating status
- Allows device suppliers to remotely lock / unlock devices for flexible management

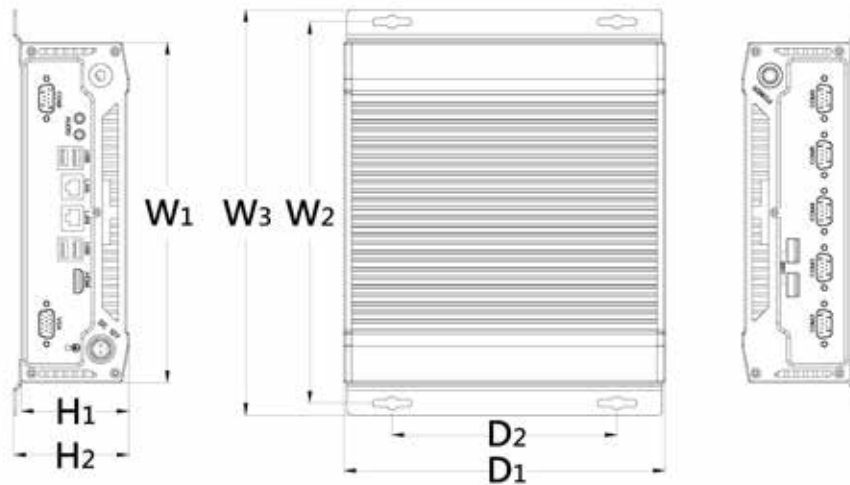


Total Configuration of Equipment Monitoring

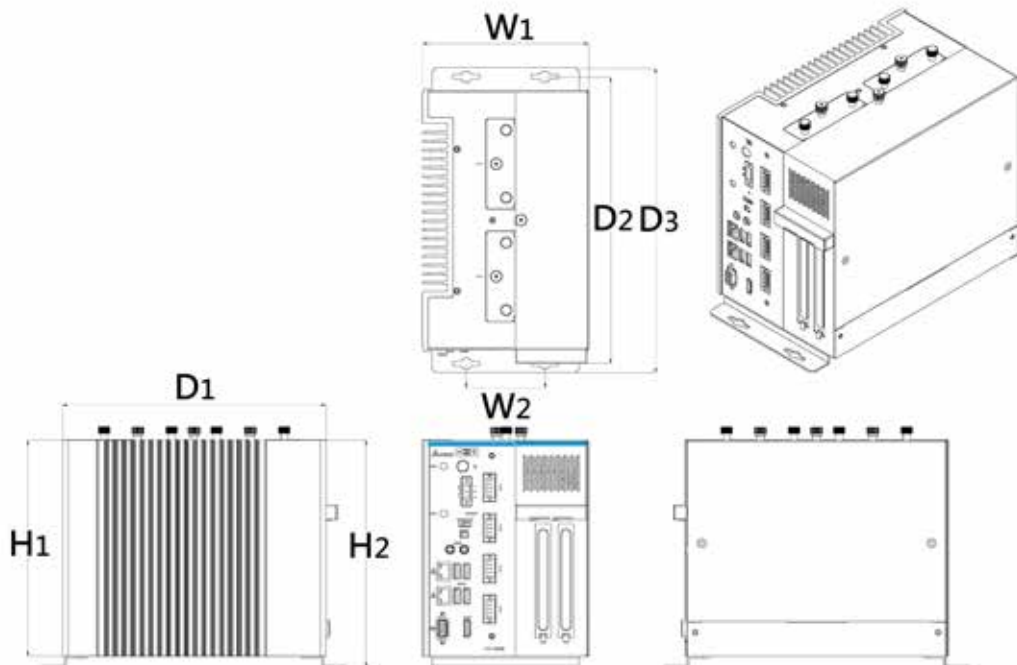


Equipment Remote Monitoring

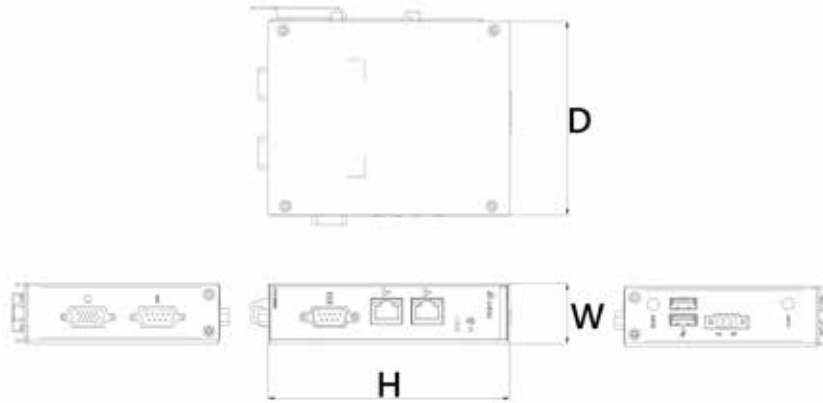
## Dimensions Unit: mm



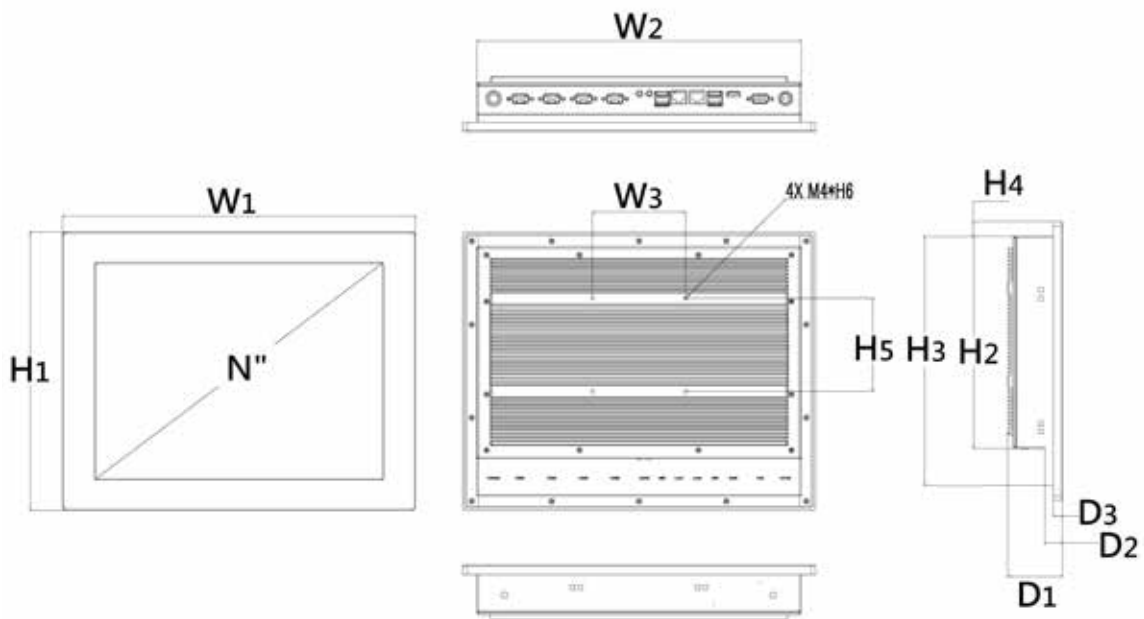
Model	W (mm)			D (mm)		H (mm)	
	W1	W2	W3	D1	D2	H1	H2
DIAVH-IPC00 Series	211.5	236.9	251.9	200	140	67	71.6



Model	W (mm)		D (mm)			H (mm)	
	W1	W2	D1	D2	D3	H1	H2
DIAVH-A300 Series	147.5	70	230	254.8	270.8	192	202.2



Model	W (mm)	D (mm)	H (mm)
IPC-E200 Series	31	100	125



Model	inch	W (mm)			D (mm)			H (mm)				
	N"	W1	W2	W3	D1	D2	D3	H1	H2	H3	H4	H5
DIAVH-PPC10 Series	10	258	239.8	100	57.5	-	10	198	148.4	-	10.5	100
DIAVH-PPC12 Series	12	317	306	100	65.7	13	6	246	190	235	5.5	100
DIAVH-PPC15 Series	15	380	348.8	100	59	19.2	10	300	228.4	268.4	15.8	100
DIAVH-PPC17 Series	17	400	365.4	100	59	19.2	10	320	245	300.4	9.8	100
DIAVH-PPC19 Series	19	475	440.4	100	57	21.2	10	308	245	288.4	9.8	100
DIAVH-PPC21 Series	21	525	499.4	100	57	19.5	9.5	316	245	296	10	100

## Ordering Information

Product	Model Name	Description	Specifications																															
			CPU	Memory	Storage	COM	LAN	USB	PCI Expansion	Operating System																								
IPC	Embedded Type	IPC-E200-N31202E00	Intel® Celeron N3350	2GB RAM	64G SSD	1	1	2	—	Win10 IOT																								
		IPC-E200-N31202000		4GB RAM						IPC hardware only																								
		IPC-E200-N32202E00		4GB RAM						Win10 IOT																								
		IPC-E200-N32202000		4GB RAM						IPC hardware only																								
	Standard Type	DIAVH-IPC00J104	Intel® Celeron J1900	4GB RAM	128G SSD	—	—	—	—	Win10-Professional																								
		DIAVH-IPC00J103		8GB RAM						IPC hardware only																								
		DIAVH-IPC00J114		8GB RAM						Win10-Professional																								
		DIAVH-IPC00J113		8GB RAM						IPC hardware only																								
	Advanced Type	DIAVH-IPC003104A	Intel® Core i3	4GB RAM	256G SSD	6	2	6	—	Win10-Professional																								
		DIAVH-IPC003103A		8GB RAM						IPC hardware only																								
		DIAVH-IPC003114A		8GB RAM						Win10-Professional																								
		DIAVH-IPC003113A		8GB RAM						IPC hardware only																								
		DIAVH-IPC005104A	Intel® Core i5	4GB RAM						Win10-Professional																								
		DIAVH-IPC005103A		8GB RAM						IPC hardware only																								
		DIAVH-IPC005114A		8GB RAM						Win10-Professional																								
		DIAVH-IPC005113A		8GB RAM						IPC hardware only																								
		DIAVH-IPC003104	Intel® Core i3	4GB RAM						512G SSD	—	—	—	—	Win10-Professional																			
		DIAVH-IPC003103		8GB RAM											IPC hardware only																			
		DIAVH-IPC003114		8GB RAM											Win10-Professional																			
		DIAVH-IPC003113		8GB RAM											IPC hardware only																			
		DIAVH-IPC005104	Intel® Core i5	4GB RAM											512G SSD	—	—	—	—	Win10-Professional														
		DIAVH-IPC005103		8GB RAM																IPC hardware only														
		DIAVH-IPC005114		8GB RAM																Win10-Professional														
		DIAVH-IPC005113		8GB RAM																IPC hardware only														
	Professional Type	IPC-A300-I334A2E00	Intel® Core i3	8GB RAM	256G SSD	4	2	6	—											2 × PCI	Win10-Enterprise													
		IPC-A300-I334A2000																		1 × PCI + 1 × PCIe16	IPC hardware only													
		IPC-A300-I334B2E00																		2 × PCI	Win10-Enterprise													
		IPC-A300-I334B2000																		1 × PCI + 1 × PCIe16	IPC hardware only													
		IPC-A300-I534A2E00	Intel® Core i5																	8GB RAM	256G SSD	4	2	6	—	2 × PCI	Win10-Enterprise							
		IPC-A300-I534A2000																								1 × PCI + 1 × PCIe16	IPC hardware only							
		IPC-A300-I534B2E00																								2 × PCI	Win10-Enterprise							
		IPC-A300-I534B2000																								1 × PCI + 1 × PCIe16	IPC hardware only							
		IPC-A300-I734A2E00	Intel® Core i7							8GB RAM	256G SSD	4	2	6												—	2 × PCI	Win10-Enterprise						
		IPC-A300-I734A2000																									1 × PCI + 1 × PCIe16	IPC hardware only						
		IPC-A300-I734B2E00																									2 × PCI	Win10-Enterprise						
		IPC-A300-I734B2000																									1 × PCI + 1 × PCIe16	IPC hardware only						
IPC-A300-I335A2E00		Intel® Core i3	8GB RAM												512GB SSD	4	2	6	—								2 × PCI	Win10-Enterprise						
IPC-A300-I335A2000																											1 × PCI + 1 × PCIe16	IPC hardware only						
IPC-A300-I335B2E00																											2 × PCI	Win10-Enterprise						
IPC-A300-I335B2000																											1 × PCI + 1 × PCIe16	IPC hardware only						
IPC-A300-I535A2E00		Intel® Core i5																									8GB RAM	512GB SSD	4	2	6	—	2 × PCI	Win10-Enterprise
IPC-A300-I535A2000																																	1 × PCI + 1 × PCIe16	IPC hardware only
IPC-A300-I535B2E00																																	2 × PCI	Win10-Enterprise
IPC-A300-I535B2000																																	1 × PCI + 1 × PCIe16	IPC hardware only
IPC-A300-I735A2E00	Intel® Core i7	8GB RAM		512GB SSD	4	2	6	—	2 × PCI																								Win10-Enterprise	
IPC-A300-I735A2000									1 × PCI + 1 × PCIe16																								IPC hardware only	
IPC-A300-I735B2E00									2 × PCI																								Win10-Enterprise	
IPC-A300-I735B2000									1 × PCI + 1 × PCIe16																								IPC hardware only	

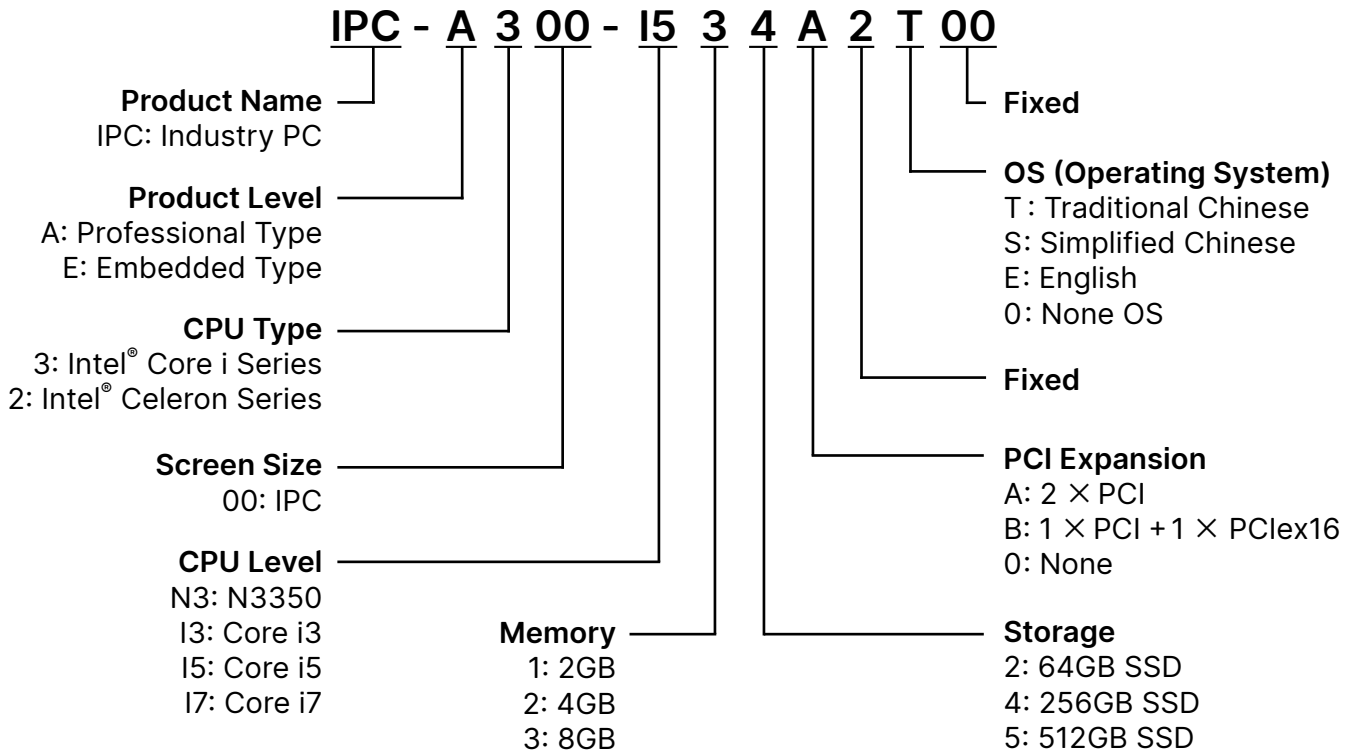
Product	Model Name	Description	Specifications											
			CPU	Size	Memory	Storage	COM	LAN	USB	Operating System				
PPC	Standard Type	Fanless Resistive Touch screen Panel PC	Intel® Celeron J1900	10- inch	4GB RAM	128G SSD				Win10-Professional				
					8GB RAM					PPC hardware only				
					4GB RAM					Win10-Professional				
					8GB RAM					PPC hardware only				
					4GB RAM					Win10-Professional				
					8GB RAM					PPC hardware only				
					4GB RAM					Win10-Professional				
					8GB RAM					PPC hardware only				
					4GB RAM					Win10-Professional				
					8GB RAM					PPC hardware only				
					4GB RAM					Win10-Professional				
					8GB RAM					PPC hardware only				
					4GB RAM					Win10-Professional				
					8GB RAM					PPC hardware only				
					4GB RAM					Win10-Professional				
					8GB RAM					PPC hardware only				
					4GB RAM					Win10-Professional				
					8GB RAM					PPC hardware only				
					4GB RAM					Win10-Professional				
					8GB RAM					PPC hardware only				
	Advanced Type			Intel® Core i3	15- inch	4GB RAM	256G SSD				Win10-Professional			
						8GB RAM					PPC hardware only			
						4GB RAM					Win10-Professional			
						8GB RAM					PPC hardware only			
				Intel® Core i5			Intel® Core i3	17- inch	4GB RAM					Win10-Professional
									8GB RAM					PPC hardware only
									4GB RAM					Win10-Professional
									8GB RAM					PPC hardware only
				Intel® Core i5			Intel® Core i5	19- inch	4GB RAM					Win10-Professional
									8GB RAM					PPC hardware only
									4GB RAM					Win10-Professional
									8GB RAM					PPC hardware only
									4GB RAM					Win10-Professional
									8GB RAM					PPC hardware only

# Ordering Information

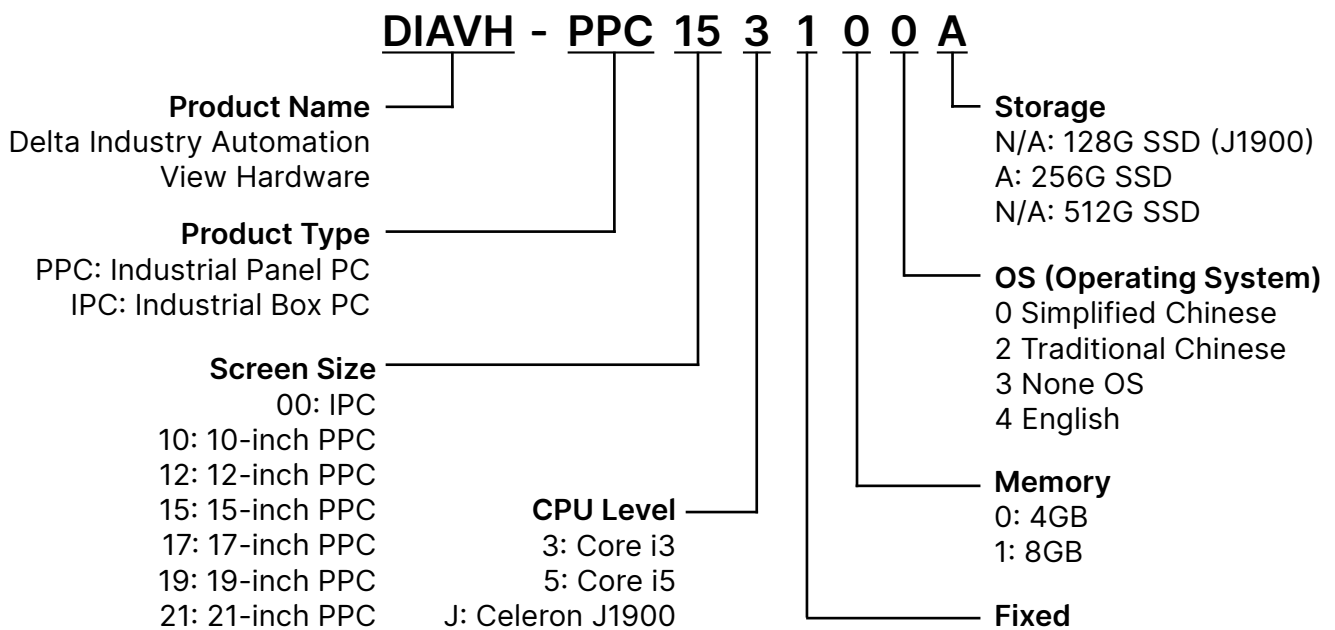
Product	Model Name	Description	Specifications							
			CPU	Size	Memory	Storage	COM	LAN	USB	Operating System
PPC	Advanced Type	Fanless Resistive Touch screen Panel PC	Intel® Core i5	19-inch	4GB RAM	256G SSD	4	2	4	Win10-Professional
					8GB RAM					PPC hardware only
					8GB RAM					Win10-Professional
			4GB RAM	PPC hardware only						
			8GB RAM	Win10-Professional						
			8GB RAM	PPC hardware only						
			4GB RAM	Win10-Professional						
			8GB RAM	PPC hardware only						
			4GB RAM	Win10-Professional						
			8GB RAM	PPC hardware only						
			8GB RAM	Win10-Professional						
			8GB RAM	PPC hardware only						
			Intel® Core i3	21-inch	4GB RAM	512G SSD	4	2	4	Win10-Professional
					8GB RAM					PPC hardware only
					8GB RAM					Win10-Professional
			4GB RAM	PPC hardware only						
			8GB RAM	Win10-Professional						
			8GB RAM	PPC hardware only						
			4GB RAM	Win10-Professional						
			8GB RAM	PPC hardware only						
			4GB RAM	Win10-Professional						
			8GB RAM	PPC hardware only						
			8GB RAM	Win10-Professional						
			8GB RAM	PPC hardware only						
			Intel® Core i3	15-inch	4GB RAM	512G SSD	4	2	4	Win10-Professional
					8GB RAM					PPC hardware only
					8GB RAM					Win10-Professional
			4GB RAM	PPC hardware only						
			8GB RAM	Win10-Professional						
			8GB RAM	PPC hardware only						
			4GB RAM	Win10-Professional						
			8GB RAM	PPC hardware only						
			4GB RAM	Win10-Professional						
			8GB RAM	PPC hardware only						
			8GB RAM	Win10-Professional						
			8GB RAM	PPC hardware only						
			Intel® Core i5	17-inch	4GB RAM	512G SSD	4	2	4	Win10-Professional
					8GB RAM					PPC hardware only
					8GB RAM					Win10-Professional
			4GB RAM	PPC hardware only						
8GB RAM	Win10-Professional									
8GB RAM	PPC hardware only									
4GB RAM	Win10-Professional									
8GB RAM	PPC hardware only									
4GB RAM	Win10-Professional									
8GB RAM	PPC hardware only									
8GB RAM	Win10-Professional									
8GB RAM	PPC hardware only									
Intel® Core i3	19-inch	4GB RAM	512G SSD	4	2	4	Win10-Professional			
		8GB RAM					PPC hardware only			
		8GB RAM					Win10-Professional			
4GB RAM	PPC hardware only									
8GB RAM	Win10-Professional									
8GB RAM	PPC hardware only									
4GB RAM	Win10-Professional									
8GB RAM	PPC hardware only									
4GB RAM	Win10-Professional									
8GB RAM	PPC hardware only									
8GB RAM	Win10-Professional									
8GB RAM	PPC hardware only									
Intel® Core i5	21-inch	4GB RAM	512G SSD	4	2	4	Win10-Professional			
		8GB RAM					PPC hardware only			
		8GB RAM					Win10-Professional			
4GB RAM	PPC hardware only									
8GB RAM	Win10-Professional									
8GB RAM	PPC hardware only									
4GB RAM	Win10-Professional									
8GB RAM	PPC hardware only									
4GB RAM	Win10-Professional									
8GB RAM	PPC hardware only									
8GB RAM	Win10-Professional									
8GB RAM	PPC hardware only									

# Model Information

## Embedded Type / Professional Type



## Standard Type / Advanced Type





Smarter. Greener. Together.

## Industrial Automation Headquarters

### Taiwan: Delta Electronics, Inc.

Taoyuan Technology Center  
No.18, Xinglong Rd., Taoyuan District,  
Taoyuan City 33068, Taiwan  
TEL: +886-3-362-6301 / FAX: +886-3-371-6301

## Asia

### China: Delta Electronics (Shanghai) Co., Ltd.

No.182 Minyu Rd., Pudong Shanghai, P.R.C.  
Post code : 201209  
TEL: +86-21-6872-3988 / FAX: +86-21-6872-3996  
Customer Service: 400-820-9595

### Japan: Delta Electronics (Japan), Inc.

Industrial Automation Sales Department  
2-1-14 Shibadaimon, Minato-ku  
Tokyo, Japan 105-0012  
TEL: +81-3-5733-1155 / FAX: +81-3-5733-1255

### Korea: Delta Electronics (Korea), Inc.

1511, 219, Gasan Digital 1-Ro., Geumcheon-gu,  
Seoul, 08501 South Korea  
TEL: +82-2-515-5305 / FAX: +82-2-515-5302

### Singapore: Delta Energy Systems (Singapore) Pte Ltd.

4 Kaki Bukit Avenue 1, #05-04, Singapore 417939  
TEL: +65-6747-5155 / FAX: +65-6744-9228

### India: Delta Electronics (India) Pvt. Ltd.

Plot No.43, Sector 35, HSIIDC Gurgaon,  
PIN 122001, Haryana, India  
TEL: +91-124-4874900 / FAX: +91-124-4874945

### Thailand: Delta Electronics (Thailand) PCL.

909 Soi 9, Moo 4, Bangpoo Industrial Estate (E.P.Z),  
Pattana 1 Rd., T.Phraksa, A.Muang,  
Samutprakarn 10280, Thailand  
TEL: +66-2709-2800 / FAX: +66-2709-2827

### Australia: Delta Electronics (Australia) Pty Ltd.

Unit 2, Building A, 18-24 Ricketts Road,  
Mount Waverley, Victoria 3149 Australia  
Mail: IA.au@deltaww.com  
TEL: +61-1300-335-823 / +61-3-9543-3720

## Americas

### USA: Delta Electronics (Americas) Ltd.

5101 Davis Drive, Research Triangle Park, NC 27709, U.S.A.  
TEL: +1-919-767-3813 / FAX: +1-919-767-3969

### Brazil: Delta Electronics Brazil Ltd.

Estrada Velha Rio-São Paulo, 5300 Eugênio de  
Melo - São José dos Campos CEP: 12247-004 - SP - Brazil  
TEL: +55-12-3932-2300 / FAX: +55-12-3932-237

### Mexico: Delta Electronics International Mexico S.A. de C.V.

Gustavo Baz No. 309 Edificio E PB 103  
Colonia La Loma, CP 54060  
Tlalnepantla, Estado de México  
TEL: +52-55-3603-9200

## EMEA

### EMEA Headquarters: Delta Electronics (Netherlands) B.V.

Sales: Sales.IA.EMEA@deltaww.com  
Marketing: Marketing.IA.EMEA@deltaww.com  
Technical Support: iatechnicalsupport@deltaww.com  
Customer Support: Customer-Support@deltaww.com  
Service: Service.IA.emea@deltaww.com  
TEL: +31(0)40 800 3900

### BENELUX: Delta Electronics (Netherlands) B.V.

Automotive Campus 260, 5708 JZ Helmond, The Netherlands  
Mail: Sales.IA.Benelux@deltaww.com  
TEL: +31(0)40 800 3900

### DACH: Delta Electronics (Netherlands) B.V.

Coesterweg 45, D-59494 Soest, Germany  
Mail: Sales.IA.DACH@deltaww.com  
TEL: +49(0)2921 987 0

### France: Delta Electronics (France) S.A.

ZI du bois Challand 2, 15 rue des Pyrénées,  
Lisses, 91090 Evry Cedex, France  
Mail: Sales.IA.FR@deltaww.com  
TEL: +33(0)1 69 77 82 60

### Iberia: Delta Electronics Solutions (Spain) S.L.U

Ctra. De Villaverde a Vallecas, 265 1º Dcha Ed.  
Hormigueras – P.I. de Vallecas 28031 Madrid  
TEL: +34(0)91 223 74 20

Carrer Llacuna 166, 08018 Barcelona, Spain

Mail: Sales.IA.Iberia@deltaww.com

### Italy: Delta Electronics (Italy) S.r.l.

Via Meda 2-22060 Novedrate(CO)  
Piazza Grazioli 18 00186 Roma Italy  
Mail: Sales.IA.Italy@deltaww.com  
TEL: +39 039 8900365

### Russia: Delta Energy System LLC

Vereyskaya Plaza II, office 112 Vereyskaya str.  
17 121357 Moscow Russia  
Mail: Sales.IA.RU@deltaww.com  
TEL: +7 495 644 3240

### Turkey: Delta Greentech Elektronik San. Ltd. Sti. (Turkey)

Şerifali Mah. Hendem Cad. Kule Sok. No:16-A  
34775 Ümraniye – İstanbul  
Mail: Sales.IA.Turkey@deltaww.com  
TEL: + 90 216 499 9910

### MEA: Eltek Dubai (Eltek MEA DMCC)

OFFICE 2504, 25th Floor, Saba Tower 1,  
Jumeirah Lakes Towers, Dubai, UAE  
Mail: Sales.IA.MEA@deltaww.com  
TEL: +971(0)4 2690148

\*We reserve the right to change the information in this catalogue without prior notice.